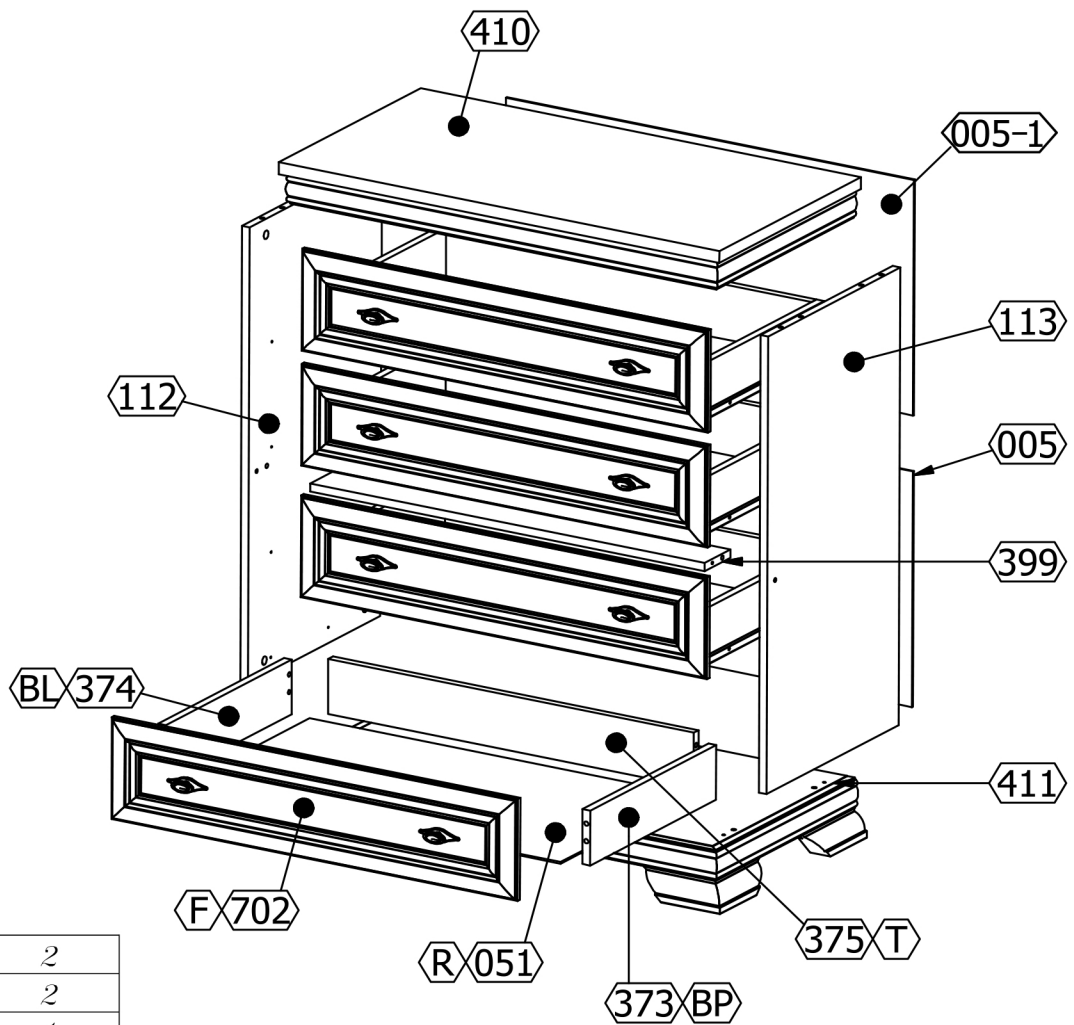


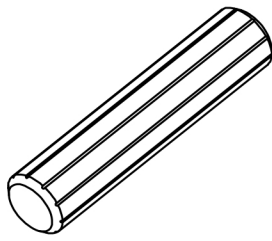


# Kora KK2

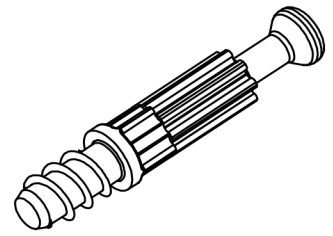


1	410	1	2
2	411	1	2
3	112	1	1
4	113	1	1
5	399	1	1
6	005	1	2
	005-1	1	
7	702	4	1
8	373	4	1
9	374	4	1
10	375	4	1
11	051	4	2

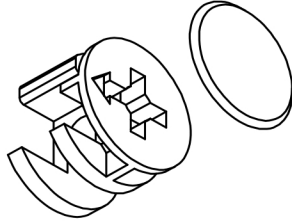
**A** x42  
(8x36)



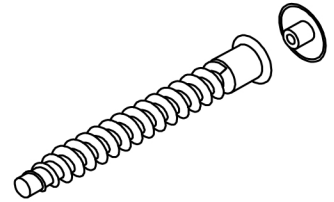
**B** x8



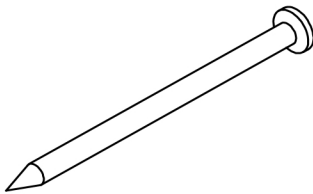
**C** x8  
(15x12)



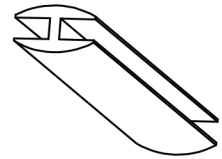
**D** x2



**G** x120



**H** x1



**M** x8

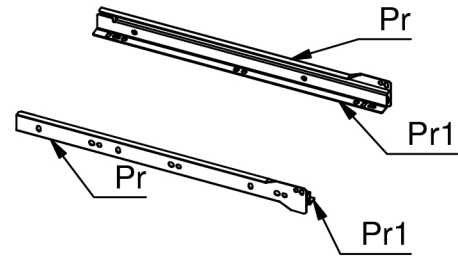


+

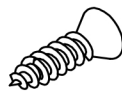


X1 (M4x27)

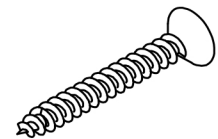
**P** x4



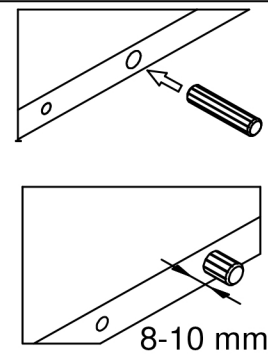
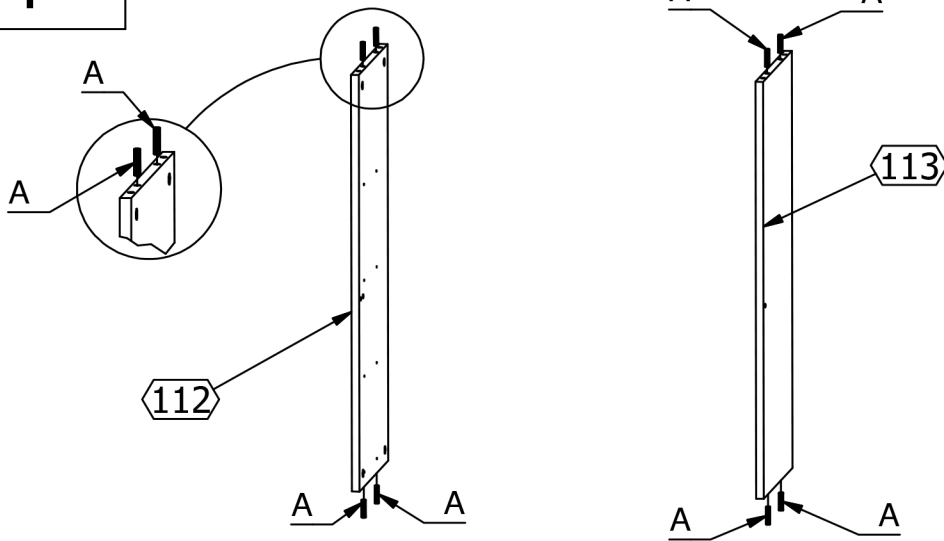
**W1** x16  
(3,5x13)



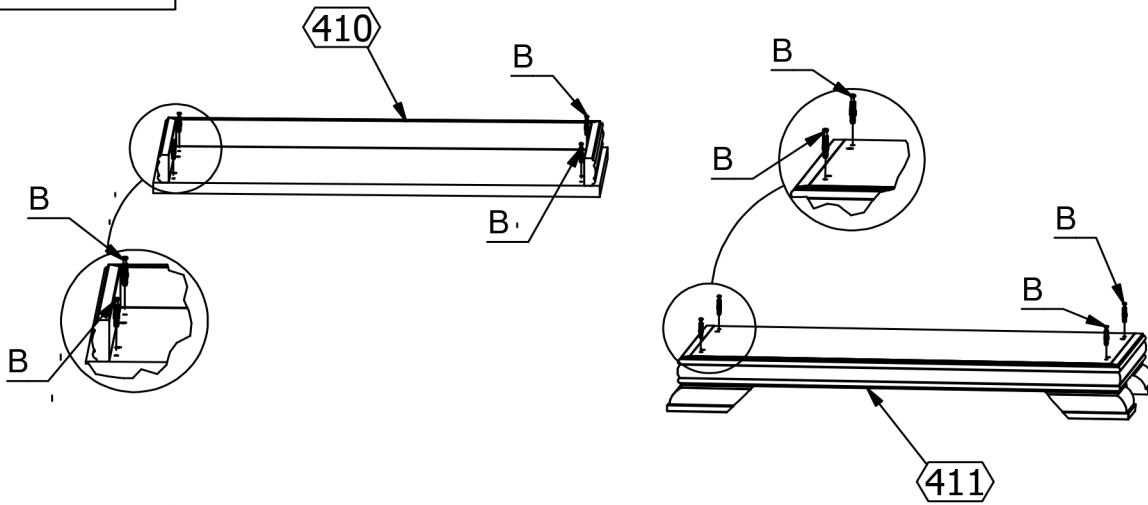
**W3** x16  
(3x25)



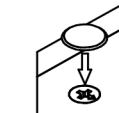
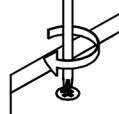
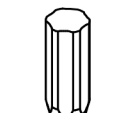
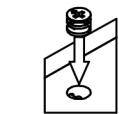
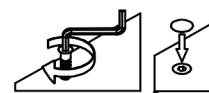
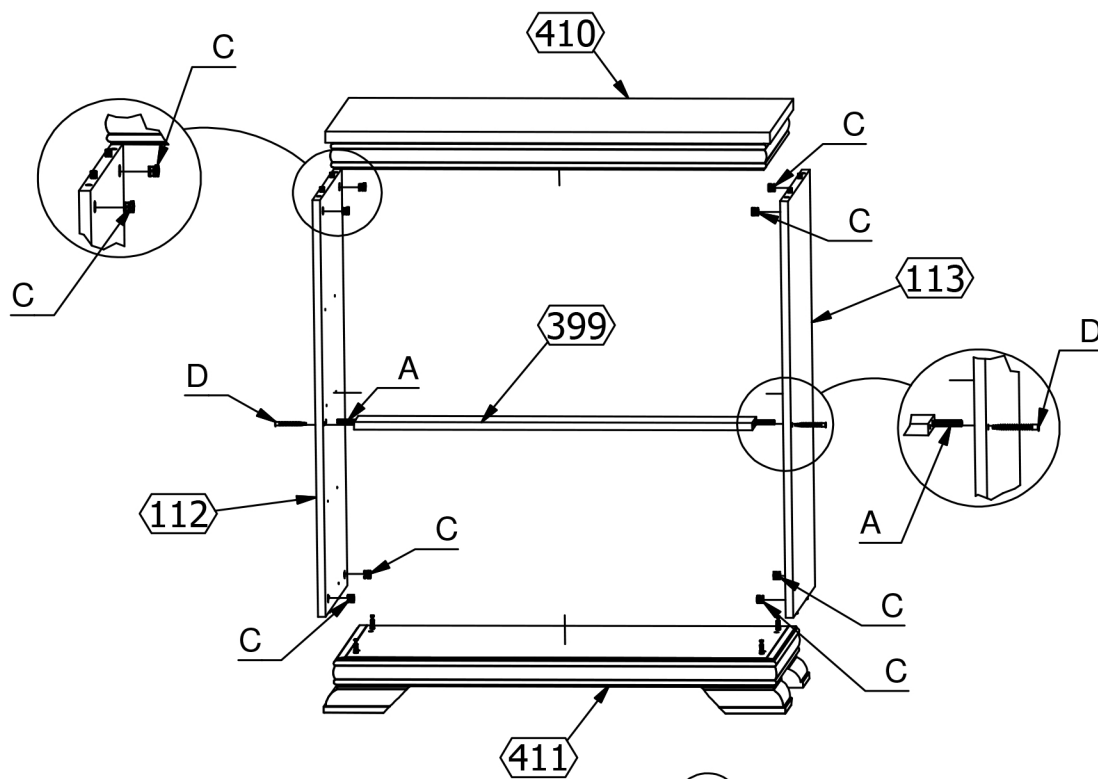
1



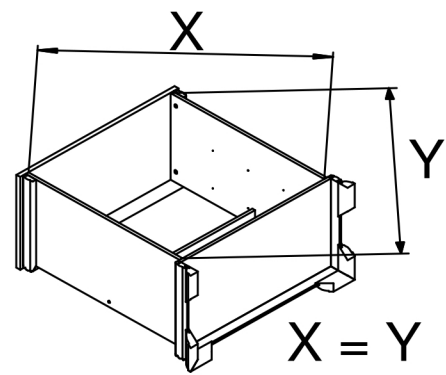
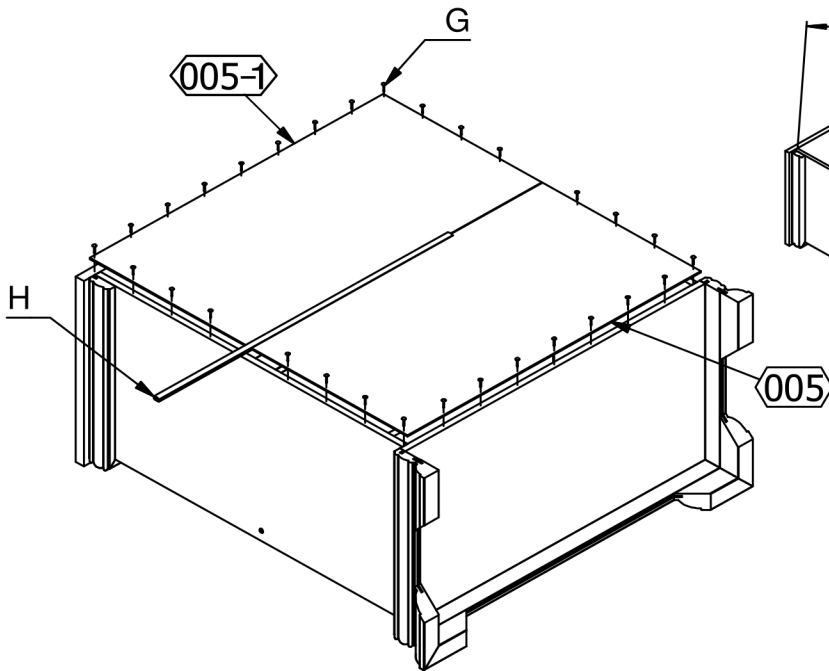
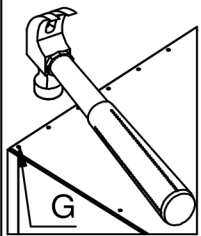
2



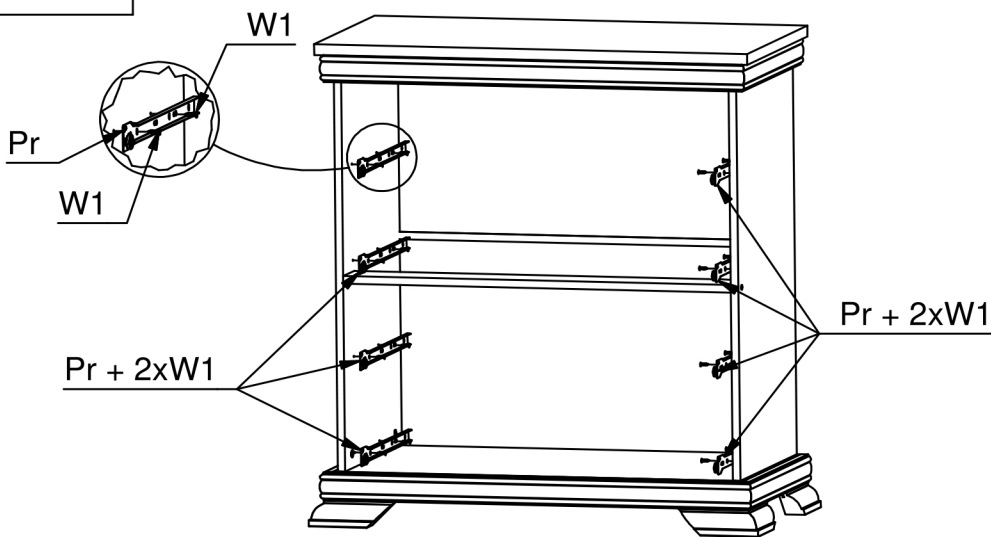
3



4

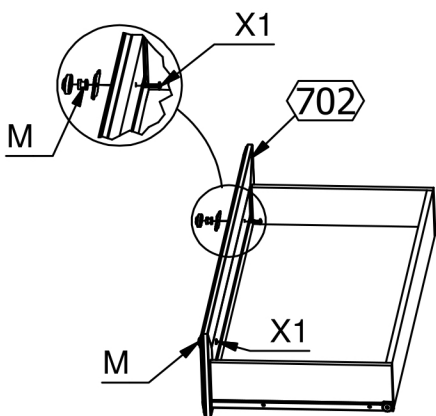


5

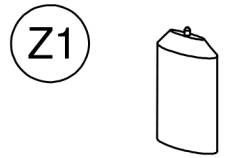
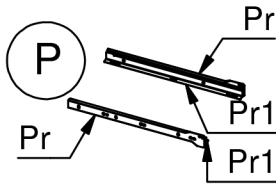
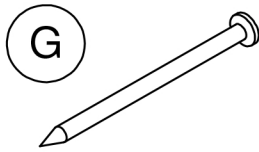
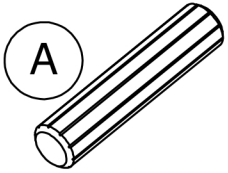
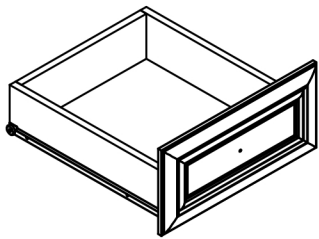


6

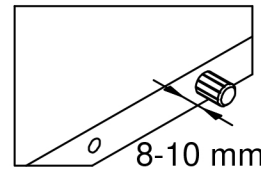
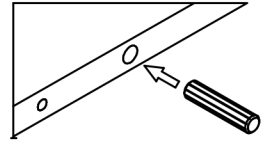
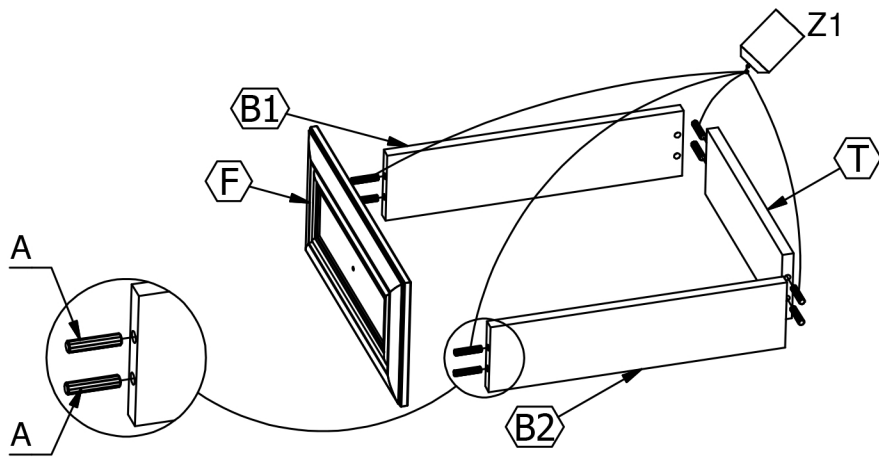
KROK 7



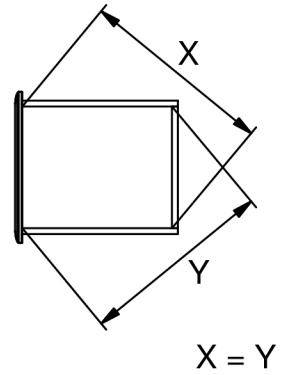
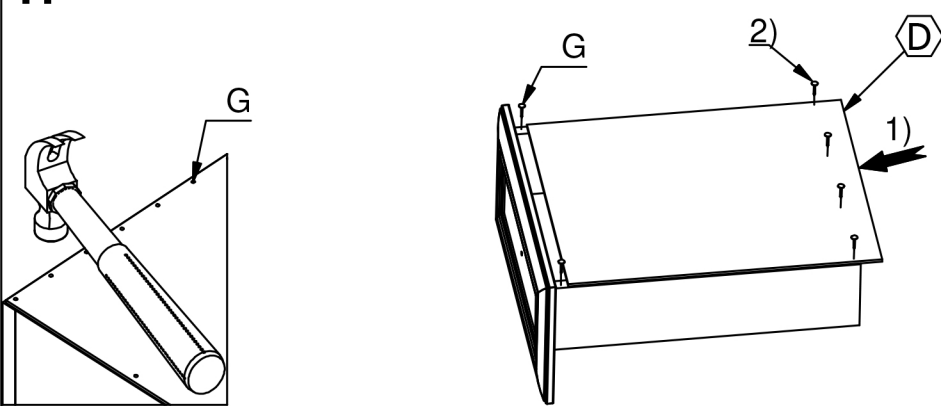




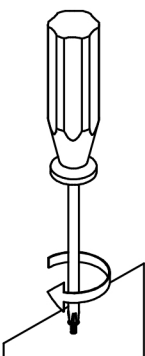
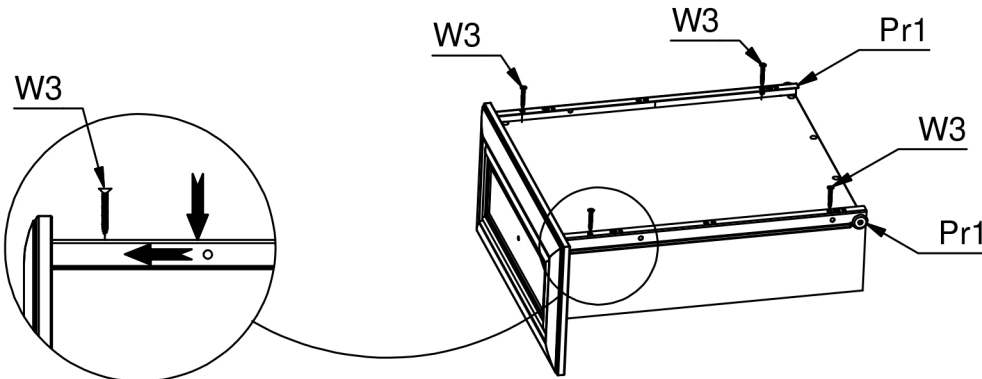
**I**

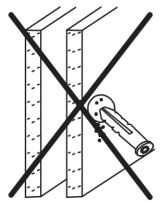
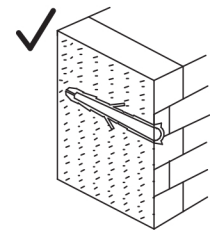
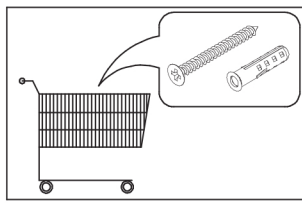
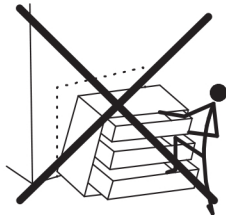
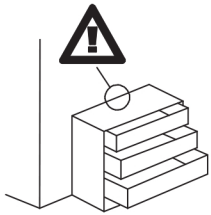


**II**

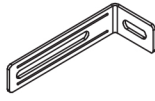


**III**



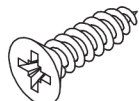


T4 x1

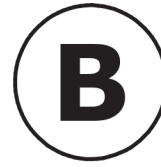
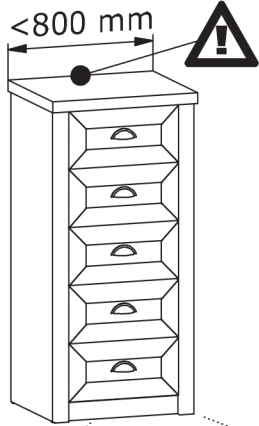


75x28x16 mm

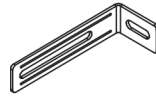
W2 x2



Ø3,5x16mm



T4 x2



75x28x16 mm

W2 x4



Ø3,5x16mm

